



- Aluminium profile compact commander in 2 widths
- Applications: control equipment and display systems
- Integrated cooling system
- External system groove
- Variable profile lengths

Included in delivery

Profile enclosure body, on rear side door or screwed wall; fastening elements for front panel; front panel order separately

Technical data

Material:

enclosure profile: DIN EN 573 EN AW-AMgSi

enclosure lid: DIN EN 1706 EN AC-ALSi 12 (Fe)

Ingress protection:

IP 65 to EN 60529

Painting:

powder coating

Colour:

enclosure body and enclosure lid:

RAL 7035, light grey

multi function profile:

RAL 9005, jet black

Temperature range:

-30°C to +65°C

ComTronic

Programme range

Type	Order No.	Front plate order no.	Weight (kg)
CT 110-350-S	20.80 10 10	20.80 91 01	7.0
CT 110-520-S	20.80 10 20	20.80 91 02	8.5
CT 110-SL-S	20.80 10 99	20.80 91 98	-
CT 110-350-S-GT	20.80 11 10	20.80 91 01	7.0
CT 110-520-S-GT	20.80 11 20	20.80 91 02	8.5
CT 110-SL-S-GT	20.80 11 99	20.80 91 98	-
CT 145-350-S	20.80 40 10	20.80 91 03	9.6
CT 145-520-S	20.80 40 20	20.80 91 04	11.4
CT 145-SL-S	20.80 40 99	20.80 91 99	-
CT 145-350-S-GT	20.80 42 10	20.80 91 03	9.6
CT 145-520-S-GT	20.80 42 20	20.80 91 04	11.4
CT 145-SL-S-GT	20.80 42 99	20.80 91 99	-

SL = special length

Accessories

Type	Order No.
Wall holder - CT	20.80 90 01
Handle set 350 (length 350 mm)	20.80 90 02
Handle set 500 (length 500 mm)	20.80 90 03
Handle set SL	20.80 90 99
Cover plates 80 for CT 110 (4 pieces)	20.80 90 04
Cover plates 120 for CT 145 (4 pieces)	20.80 90 05
NoVoTronic adapter P80	20.80 90 06
NoVoTronic adapter P100	20.80 90 07
NoVoTronic adapter P160	20.80 90 08
Ventilator 60 for CT 110 (1 pcs.)	83.90 00 04
Ventilator 92 for CT 145 (1 pcs.)	83.90 00 05
Mounting angle with screws and spring nuts M5 (set 4 pcs.)	10.03 31 01
Spring nuts M5 (set 8 pcs.) for internal mounting	10.03 60 01

Switches and push button on request



Suspension adaptation

for adaptation of ROSE suspension systems

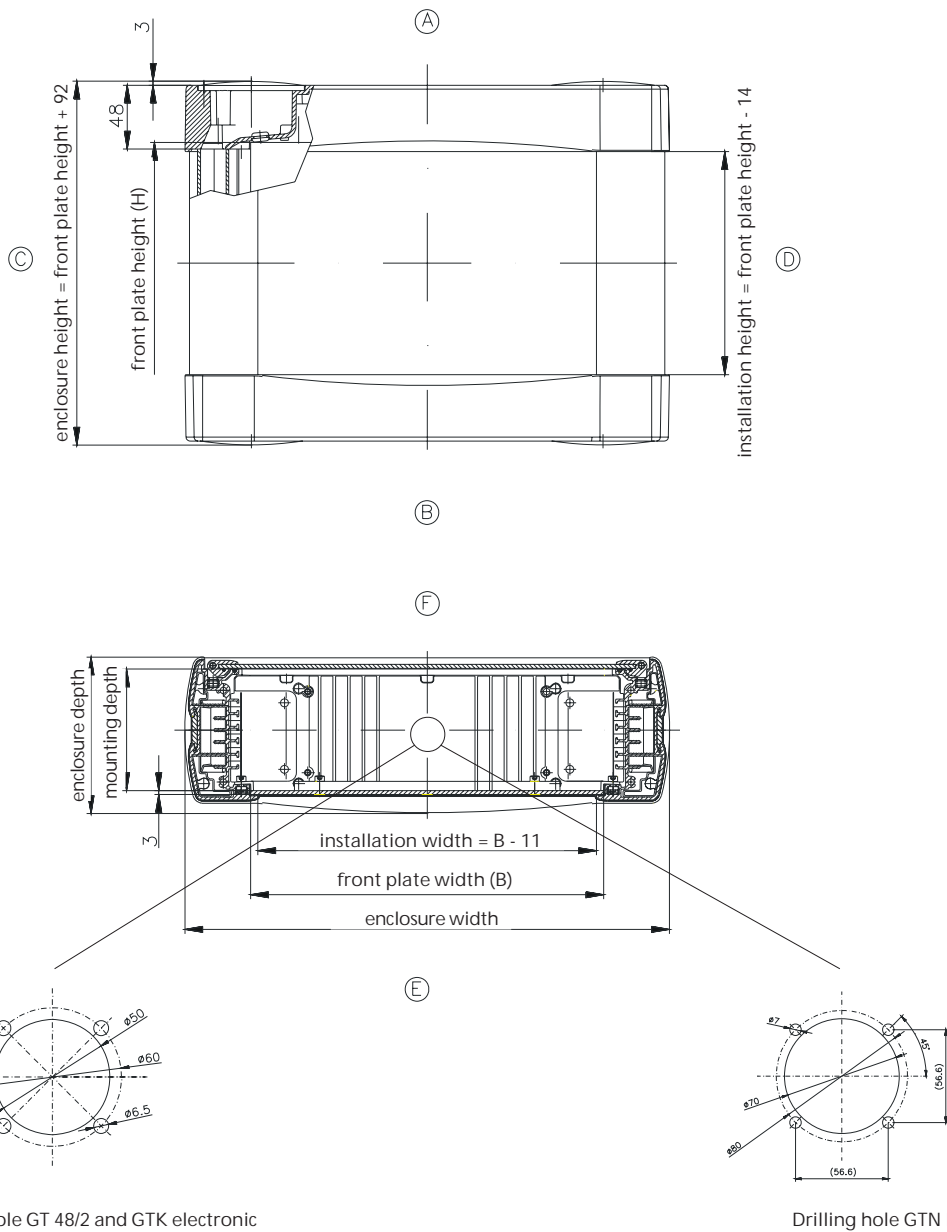
- GT 48 and GTK electronic for ComTronic 110
- GTN II for ComTronic 145
- other machining by version "without coupling hole" available

Type	GT 48/2	GTK electronic	GTN II II	without coupling hole
CT110-350-S				X
CT110-520-S				X
CT110-SL-S				X
CT110-350-S-GT	X	X		
CT110-520-S-GT	X	X		
CT110-SL-S-GT	X	X		
CT145-350-S				X
CT145-520-S				X
CT145-SL-S				X
CT145-350-S-GT			X	
CT145-520-S-GT			X	
CT145-SL-S-GT			X	

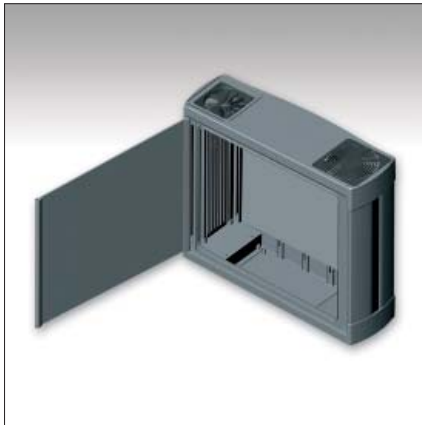
Dimensions

Type	Order No.	Front plate W x H in mm	Installation W x H in mm	Enclosure W x H in mm	Mounting depth	Enclosure depth
CT 110-350-S	20.80 10 10	266 x 350	255 x 336	365 x 442	91	118
CT 110-350-S-GT	20.80 11 10	266 x 350	255 x 336	365 x 442	91	118
CT 110-520-S	20.80 10 20	266 x 520	255 x 506	365 x 612	91	118
CT 110-520-S-GT	20.80 11 20	266 x 520	255 x 506	365 x 612	91	118
CT 110-SL-S	20.80 10 99	266 x SL	255 x SL	365 x SL	91	118
CT 110-SL-S-GT	20.80 11 99	266 x SL	255 x SL	365 x SL	91	118
CT 145-350-S	20.80 40 10	351 x 350	340 x 336	453 x 442	127	153
CT 145-350-S-GT	20.80 42 10	351 x 350	340 x 336	453 x 442	127	153
CT 145-520-S	20.80 40 20	351 x 520	340 x 506	453 x 612	127	153
CT 145-520-S-GT	20.80 42 20	351 x 520	340 x 506	453 x 612	127	153
CT 145-SL-S	20.80 40 99	351 x SL	340 x SL	453 x SL	127	153
CT 145-SL-S-GT	20.80 42 99	351 x SL	340 x SL	453 x SL	127	153

SL = special length



Rear wall mounting



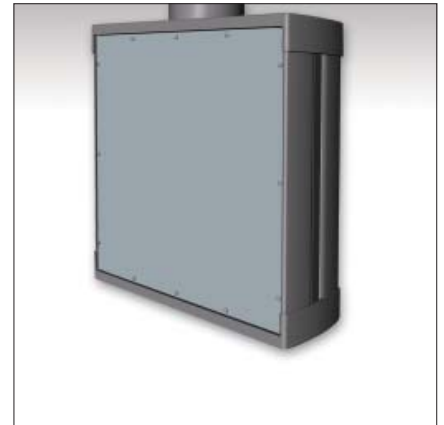
1. Door with fast lock system

- Standard version
- Hinge side is fixed by pin screw with blind plugs
- Lock side is provided only by pin screws



2. Door with turn bolt fastener

- Option available
- Hinge side is fixed by pin screw with blind plugs
- Lock side is provided with two turn bolt fasteners



3. Rear wall completely closed

- Optional available
- Rear wall fixed by screws

Accessories



Wall holder - CT

Swivelling wall fixing unit

Order No. **20.80 90 01**



Ventilator

Option available for solving heat problems
To obtain an optimal cooling effect, 2 ventilators are recommended

Order No.	
83.90 00 04	Ventilator 60 for ComTronic 110 (1 pcs.)
83.90 00 05	Ventilator 92 for ComTronic 145 (1 pcs.)



NoVoTronic adapter

Combination element at ComTronic

Order No.	for
20.80 90 06	NoVoTronic adapter P80
20.80 90 07	NoVoTronic adapter P100
20.80 90 08	NoVoTronic adapter P160

Company _____
 Contact _____
 Address _____
 Telephone _____
 Fax _____
 E-Mail _____

Customer No. _____
 Piece _____
 Date _____

Dimensions operating enclosures

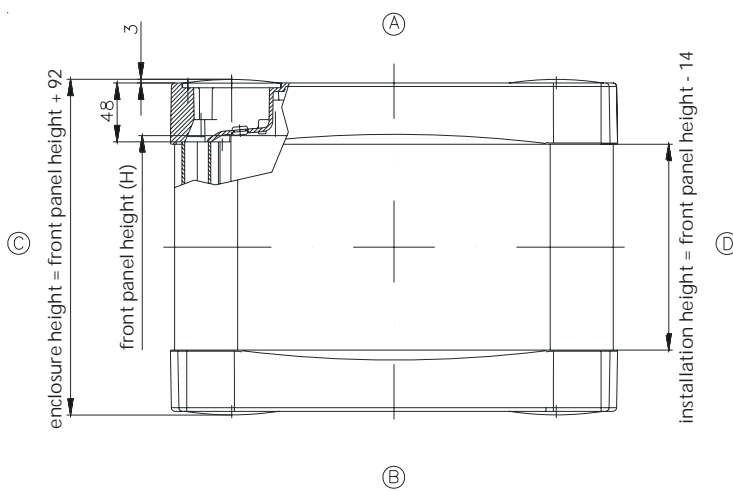
ComTronic 110

for front panel 266 x 350 mm (W x H) for front panel 266 x 520 mm (W x H) for front panel 266 x special length mm (W x H)

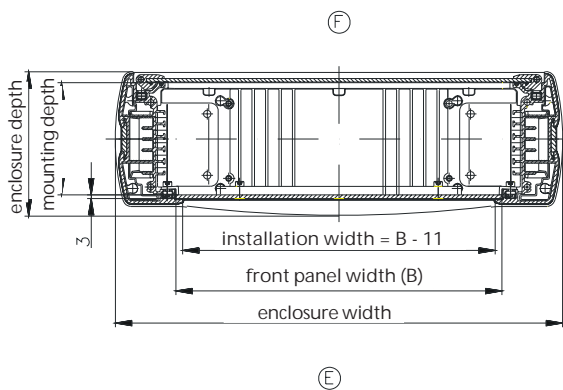
ComTronic 145

for front panel 351 x 350 mm (W x H) for front panel 351 x 520 mm (W x H) for front panel 351 x special length mm (W x H)

front panel dimension special length H (mm) _____ (high)



	ComTronic	
	110	145
Mounting depth:	91	127
Enclosure depth:	118	153
Installation width:	255	340



Front panel mounted: yes no

Modified acc. to drawing no.: _____

or specify manufacturer / control type _____

Accessory to inquiry / order

Company: _____

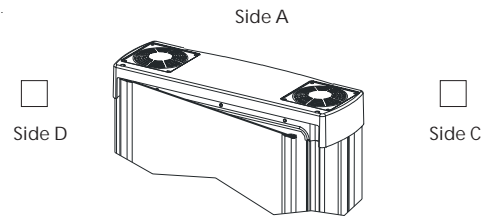
Rear wall With fast lock system (standard) Hinged side _____ (standard side D)
 With turn bolt fastener Hinged side _____ (standard side D)
 Square 6 mm (standard) Triangular 6,5 mm Slot 1,5 mm
 Screwed
 Rear wall machining acc. drawing no. _____

Colour Standard: light grey, RAL 7035
 Special colour (please specify RAL colour single):
 Profile RAL _____ Lid RAL _____ Slot-in strip RAL _____ (standard: black)

Suspension without
 GTK electronic or GT 48/2 Side _____ (standard side A by ComTronic 110)
 GTN II Side _____ (standard side A by ComTronic 145)
 Moterm
 other _____ Drawing no. _____ Side _____
 Total weight of mountings ca. _____ kg

Handle set Side C and D Special colour RAL _____ (standard: black)
 Order No.: 20.80 90 02; 20.80 90 03; 20.80 90 99 Special length _____ mm

Ventilator (1 pcs.) Standard 2 pcs.
 Side _____ (standard: side A)
 divergent by inset of only one ventilator



Order No.: 83.90 00 04; 83.90 00 05

Cover elements (4 pcs.) (or hygienic areas) attention: none optimal cooling effect!
 Order No.: 20.80 90 04; 20.80 90 05

NoVoTronic adapter Side _____ (standard: side D)
 Order No.: 20.80 90 06; 20.80 90 07; 20.80 90 08

Wall holder-CT Side _____ (standard: Side C)
 Order No.: 20.80 90 01

Other machining / special versions

acc. drawing no.: _____